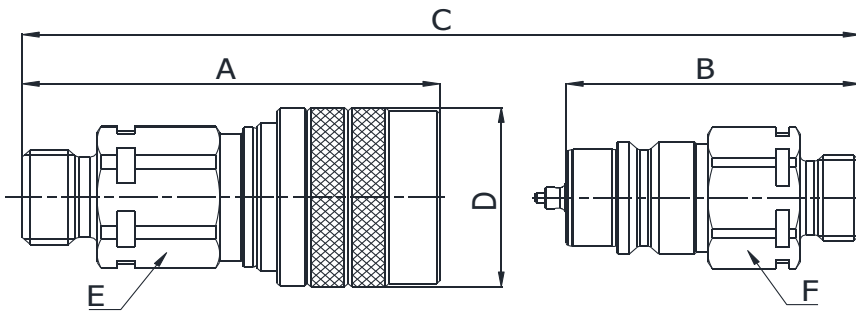


Q01011041A
Q00611041A

BSP TERMINATION ENDS
TO DIN 3852 X TYPE

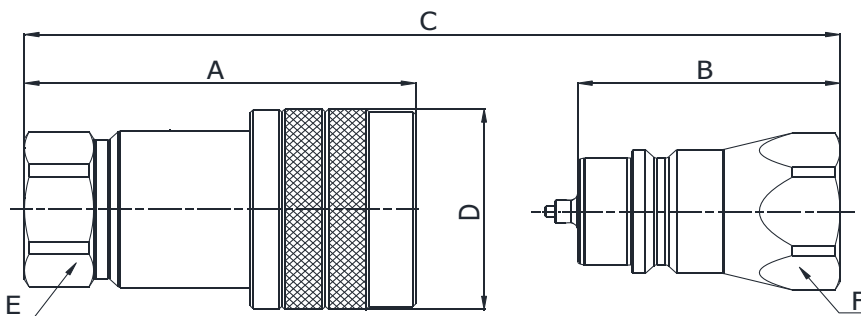
SIZE			PART NUMBER		THREAD	DIMENSIONS mm					
DN	Inch	Dash	Female coupling	Male coupling		A	B	C	D	E	F
12.5	1/2"	-08	Q01011041A-08-08	Q00611041A-08-08	1/2"	67	45	A+B-21,8	ø38	27	27



Q01011110A
Q00611110A

METRIC TERMINATION END
TO ISO 8434-1
L SERIES

SIZE			PART NUMBER		THREAD	DIMENSIONS mm					
DN	Inch	Dash	Female coupling	Male coupling		A	B	C	D	E	F
12.5	1/2"	-08	Q01011110A-08-18	Q00611110A-08-18	M18x1,5	65.2	54	A+B-21,8	ø38	27	27



Q01011341A
Q00611341A

NPTF TERMINATION END
TO ANSI B 1.20.3

SIZE			PART NUMBER		THREAD	DIMENSIONS mm					
DN	Inch	Dash	Female coupling	Male coupling		A	B	C	D	E	F
12.5	1/2"	-08	Q01011341A-08-08	Q00611341A-08-08	1/2" NPTF	67	45	A+B-21,8	ø38	27	27